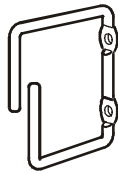


Cable Management Rings—AR8113A

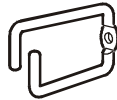
Overview

Cable management rings help route cables within an enclosure. The illustrations in this instruction sheet show typical placement of the cable management rings, but placement is not limited to these examples. Use the mounting hardware (provided) to install the cable management rings in your enclosure. Follow the instructions on page 3 when installing or removing caged nuts. Use the hook-and-loop cable straps to bundle cables together for easier and more secure routing.

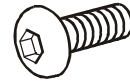
Inventory



2U cable ring (5)



1U cable ring (5)



M6 × 12 screw (15)



M6 caged nut (15)



8-inch hook-and-loop cable strap (10)

Tools required

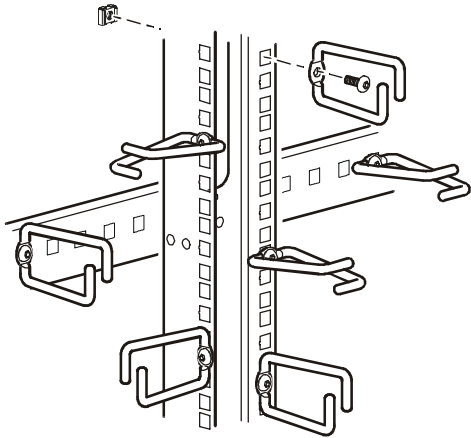


Caged nut tool

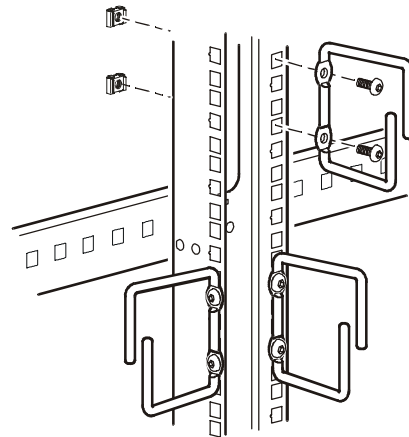


5-mm hex wrench

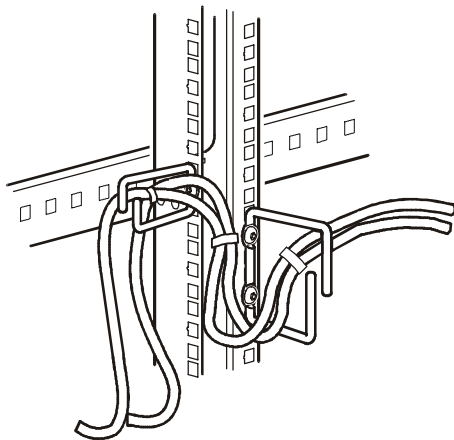
1 U cable management ring placement



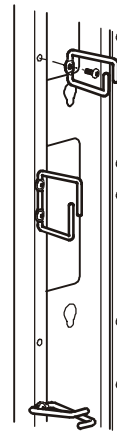
2 U cable management ring placement



Hook-and-loop cable straps



Cable management ring placement in NetShelter® VX rear cable channel



How to install and remove caged nuts

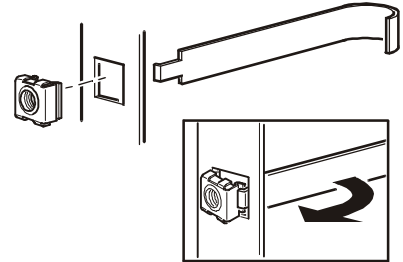
To install a caged nut:



Warning

Install the caged nut horizontally. Do not install the caged nut vertically with the sides of the caged nut engaging the top and bottom of the square hole.

1. Insert the caged nut into the square hole by hooking one side of the caged nut assembly through the far side of the hole.
2. Place the caged nut tool (provided) on the other side of the caged nut and pull to snap it into position.



To remove a caged nut:

1. Remove any attached screw.
2. Grasp the caged nut and squeeze the sides to release it from the square hole.

APC Worldwide Customer Support

Customer support for this or any other APC product is available at no charge in any of the following ways:

- Visit the APC Web site to find answers to frequently asked questions (FAQs), to access documents in the APC Knowledge Base, and to submit customer support requests.
 - **www.apc.com** (Corporate Headquarters)
 - Connect to localized APC Web sites for specific countries, each of which provides customer support information.
 - **www.apc.com/support/**
 - Global support with FAQs, knowledge base, and e-support.
- Contact an APC Customer Support center by telephone or e-mail.
 - Regional centers:

Direct InfraStruXure Customer Support Line	(1)(877)537-0607 (toll free)
APC headquarters U.S., Canada	(1)(800)800-4272 (toll free)
Latin America	(1)(401)789-5735 (USA)
Europe, Middle East, Africa	(353)(91)702000 (Ireland)
Japan	(0) 3 5434-2021
Australia, New Zealand, South Pacific area	(61) (2) 9955 9366 (Australia)

- Local, country-specific centers: go to **www.apc.com/support/contact** for contact information.

Contact the APC representative or other distributor from whom you purchased your APC product for information on how to obtain local customer support.

Entire contents copyright © 2003 American Power Conversion. All rights reserved.
 Reproduction in whole or in part without permission is prohibited. APC, the APC logo, NetShelter, and InfraStruXure are trademarks of American Power Conversion Corporation and may be registered in some jurisdictions. All other trademarks, product names, and corporate names are the property of their respective owners and are used for informational purposes only.

